

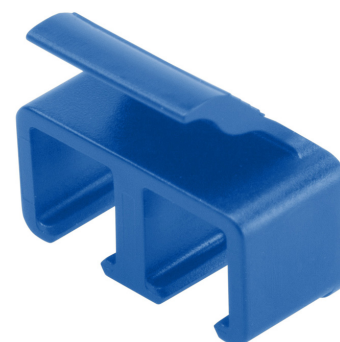
FLC-CLIP-CLA-DUP-BU_100-P

Description

LC clip, classic, blue, duplex

Features

- Robust one-piece design
- Excellent handling
- Any time simply afterwards mountable



Technical Data

General Data

Characteristics	Values
Connector family	LC
Type	Duplex
Material	Plastic
Color	Blue

Mechanical Data

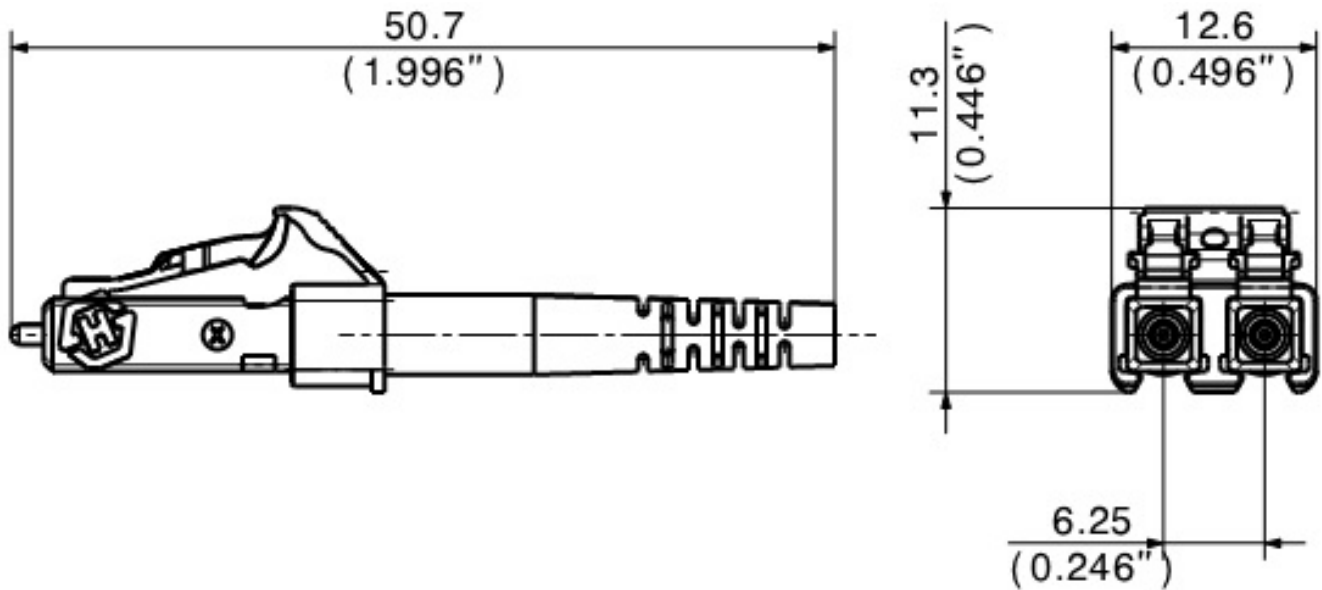
Characteristics	Values
Operating temperature min. (°C)	-40
Operating temperature max. (°C)	85

Environment Data

Characteristics	Values
RoHS compliant	Yes
REACH compliant	Yes
Free of halogen	Yes
UV resistant	Yes
Flammability rating	UL 94 HB

FLC-CLIP-CLA-DUP-BU_100-P

Technical drawing



Ordering information

Description	Item number
FLC-CLIP-CLA-DUP-BU_100-P	23028166