

FST-SEC-B101_100-P

Description

ST SECURITY connector, G50/125, G62.5/125, PC, metal, bayonet

Features

- Bayonet nut connector
- One piece design
- ST security with intergrated strain relief
- Metal bayonet



Technical Data

General Data

Characteristics	Values
Specified acc. to	IEC 61754-2, TIA 604-2
Connector family	ST
Connector type	G50/125, G62.5/125
Polishing	PC
Weight in kg	0.0024
Material	Metal
Color of housing	Metal

Mechanical Data

Characteristics	Values
Operating temperature min. (°C)	-40
Operating temperature max. (°C)	85
Min. mating cycles	1000
Tensile load (N)	100

Optical Data

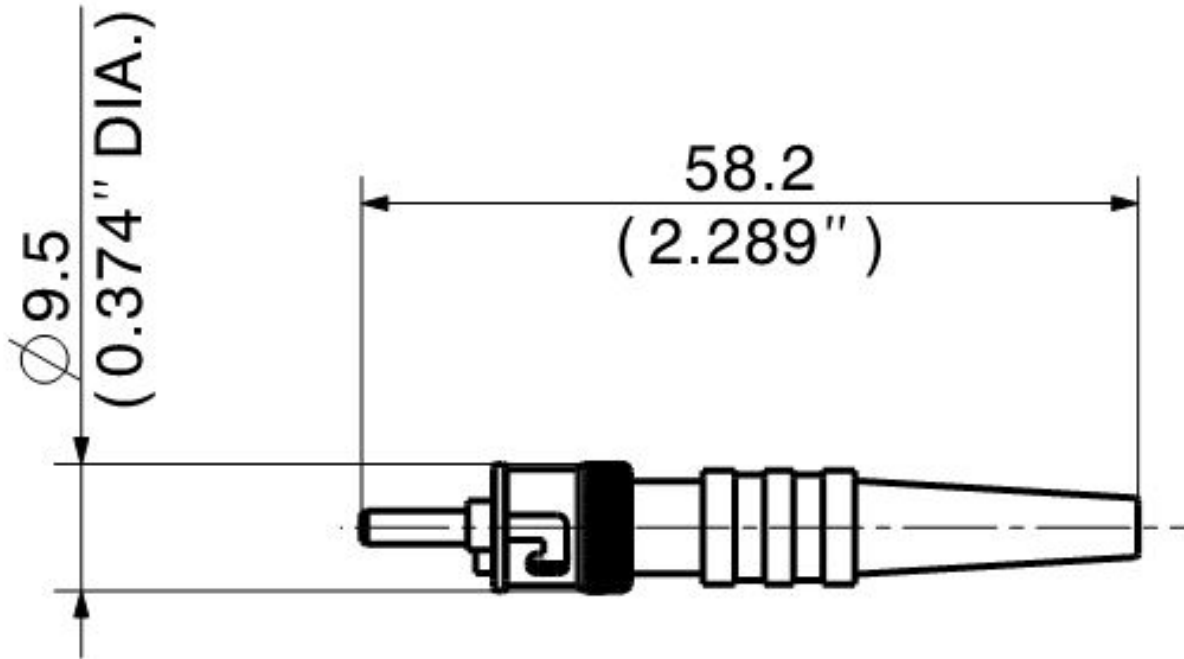
Characteristics	PC
IL 97% (dB)	0.5
IL typ. (dB)	0.2
RL (dB)	35

Environment Data

Characteristics	Values
Free of halogen	Yes
RoHS compliant	Yes
REACH compliant	Yes
UV resistant	Yes
Flammability rating	UL 94 V-0

FST-SEC-B101_100-P

Technical drawing



Ordering information

Description	Item number
FST-SEC-B101_100-P	84003896