

PT01_STUS_0000_SM09E_XX.X_S0

Description

Single Pigtail, FST, SM, APC ,fiber 0.9mm_XX.X_yellow



Features	Features
- Bayonet nut connector	
- One piece design	
- Metal bayonet	

Technical Data

General Data

Description	Values
General Typ	ST pigtail
Operation temperature	-40 up to 85°C
UL Rating	UL 94 V-0
RoHS compliant 2001/65/EU	Yes
REACH compliant	Yes

Connector left

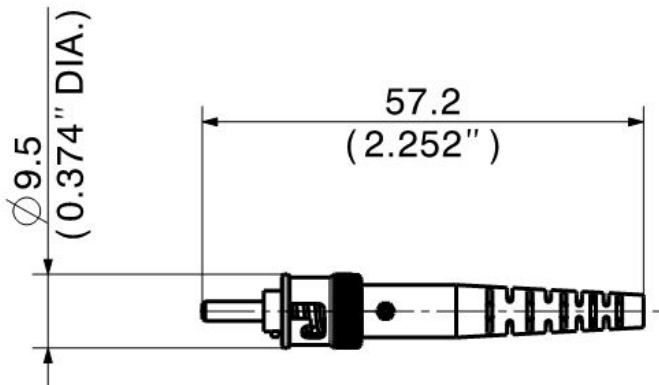
Description	Values
Connector typ	ST pigtail
Polish	UPC
Color Housing	Metal
Color Boot	Black
Design connector acc. To	IEC 61754-2, TIA 604-2
Performance class H+S	S
Insertion loss 97% dB / mean dB	0.45 / 0.2
Return Loss	65
Durability	1000

Cable

Description	Values
Cable typ	Semi-tight Tube
Fiber count	1
Fiber	1 x 0.9 mm
Fiber typ	E9/125-SM standard G.652.D

PT01_STUS_0000_SM09E_XX.X_S0

Technical Drawing



Ordering information

Meter (m)	Item number	Description
2	84004996	PT01_STUS_0000_SM09E_02.0_S0