

BOOT SFF 1.4-2.5_GN_1000-P

Description

Boot, SFF, \varnothing 1.4mm- \varnothing 2.5mm, green

Features

- Halogen free and flame retardant material according to UL94 HB
- Small form factor



Technical Data

General Data

Characteristics	Values
Compatibility	LX.5, LC
Boot family	SFF
Cable diameter max. (mm)	2.5
Cable diameter min. (mm)	1.4
Material	Plastic
Color	Green
Weight in kg	0.0002

Mechanical Data

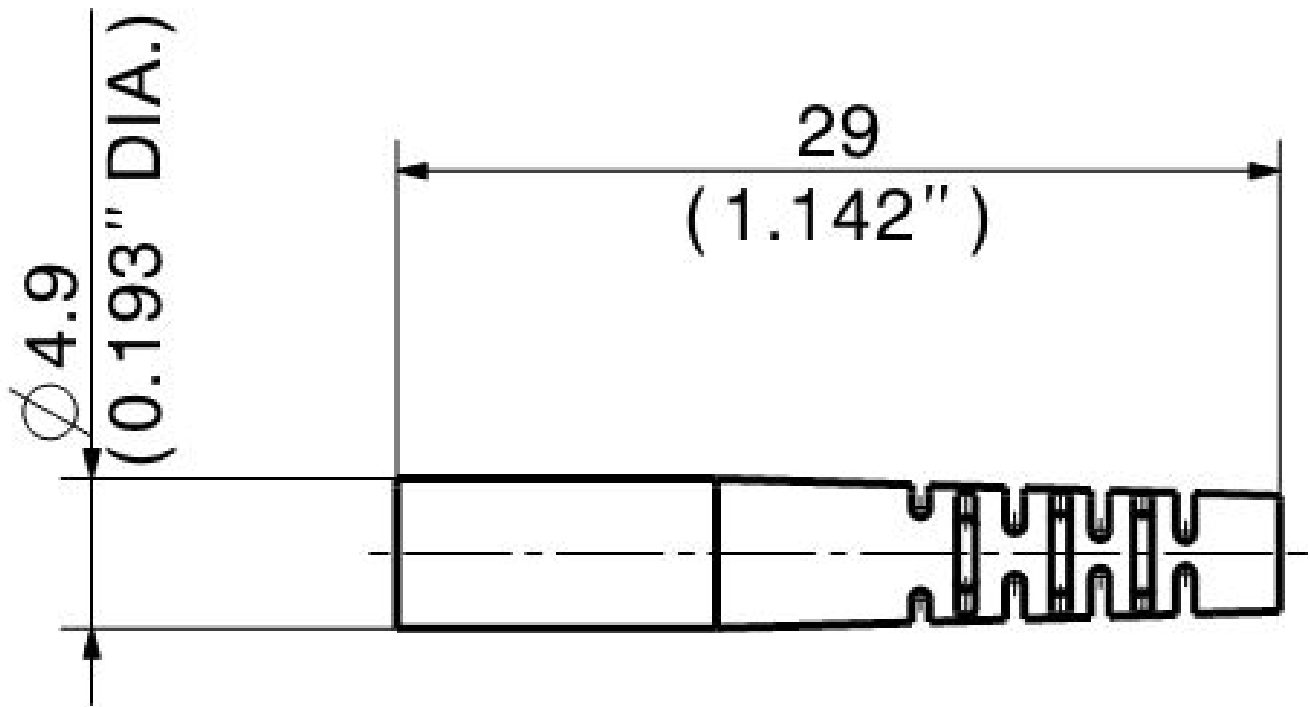
Characteristics	Values
Operating temperature min. (°C)	-40
Operating temperature max. (°C)	85

Environment Data

Characteristics	Values
RoHS compliant	Yes
REACH compliant	Yes
Free of halogen	Yes
UV resistant	Yes
Flammability rating	UL94 HB

BOOT SFF 1.4-2.5_GN_1000-P

Technical drawing



Ordering information

Description	Item number
BOOT SFF 1.4-2.5_GN_1000-P	84005356