

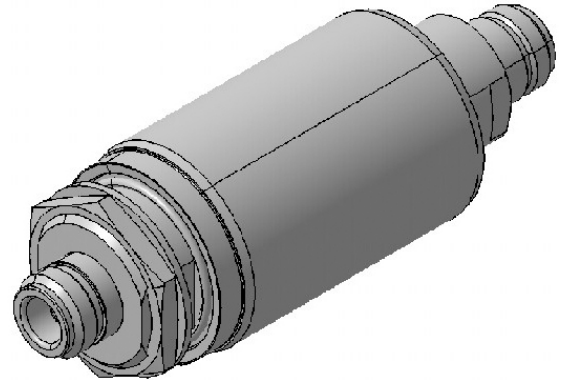
High Voltage DC Block 9077.17.0015

Description

Broadband HIGH VOLTAGE DC-Block

Benefits

Broadband operation
 Can also be installed reversely
 Grounding feature



Product Configuration

Port 1 connector	N jack (female)
Port 2 connector	N jack (female), side of bulkhead
Mounting	MH110 (bulkhead mounting) brk (bracket)

Technical Data

Electrical Data

Impedance	50 Ω	
Frequency Range	140 to 2500 MHz	200 to 2500 MHz
Return loss	≥ 16 dB	≥ 20 dB
Insertion loss	≤ 0.5 dB	≤ 0.5 dB
RF avg. power	≤ 80 W	≤ 80 W
RF peak power	≤ 250 W	≤ 250 W
PIM 3rd order	-150 dBc typ.	-150 dBc typ.
Blocking voltage center cond.	≤ 4000 VDC	
Leakage current	≤ 50 μ A	

Mechanical Data

Weight	380 g
--------	-------

Environmental Data

Operating temperature	-40 °C to +85 °C
Waterproof degree	IP65

Material Data

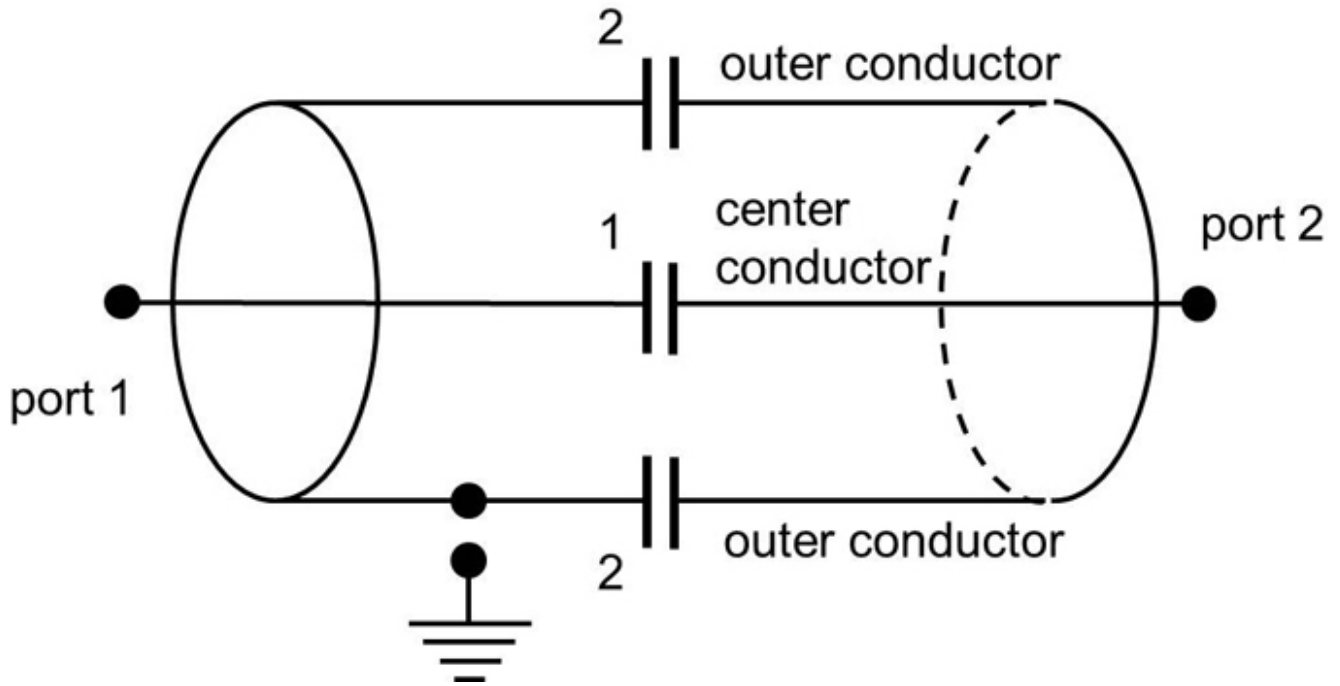
Piece Parts	Material	Surface Plating
Housing	Brass	
Female center contact	Copper Beryllium Alloy	Gold Plating (without Nickel underplating)

Related Documents

Outline drawing	DOU-00065687.1
-----------------	----------------

High Voltage DC Block 9077.17.0015

Schematic diagram component circuit



1) Center block: Yes

2) Outer block: No

3) Port 1 short: No

4) Port 2 short: No