

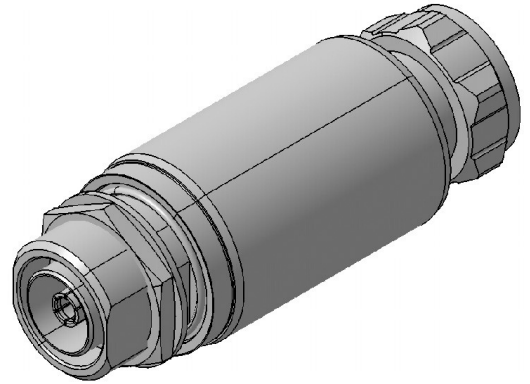
## High Voltage DC Block 9077.41.0016

### Description

Broadband HIGH VOLTAGE DC-Block

#### Benefits

- Broadband operation
- Can also be installed reversely
- Grounding feature



### Product Configuration

Port 1 connector	7/16 plug (male)
Port 2 connector	7/16 jack (female), side of bulkhead
Mounting	MH110 (bulkhead mounting)

### Technical Data

#### Electrical Data

Impedance	50 $\Omega$	
Frequency Range	140 to 2500 MHz	200 to 2500 MHz
Return loss	$\geq 16$ dB	$\geq 20$ dB
Insertion loss	$\leq 0.5$ dB	$\leq 0.5$ dB
RF avg. power	$\leq 80$ W	$\leq 80$ W
RF peak power	$\leq 250$ W	$\leq 250$ W
PIM 3rd order	-150 dBc typ.	-150 dBc typ.
Blocking voltage center cond.	$\leq 4000$ VDC	
Leakage current	$\leq 50$ $\mu$ A	

#### Mechanical Data

Weight	380 g
--------	-------

#### Environmental Data

Operating temperature	-40 °C to +85 °C
Waterproof degree	IP65

#### Material Data

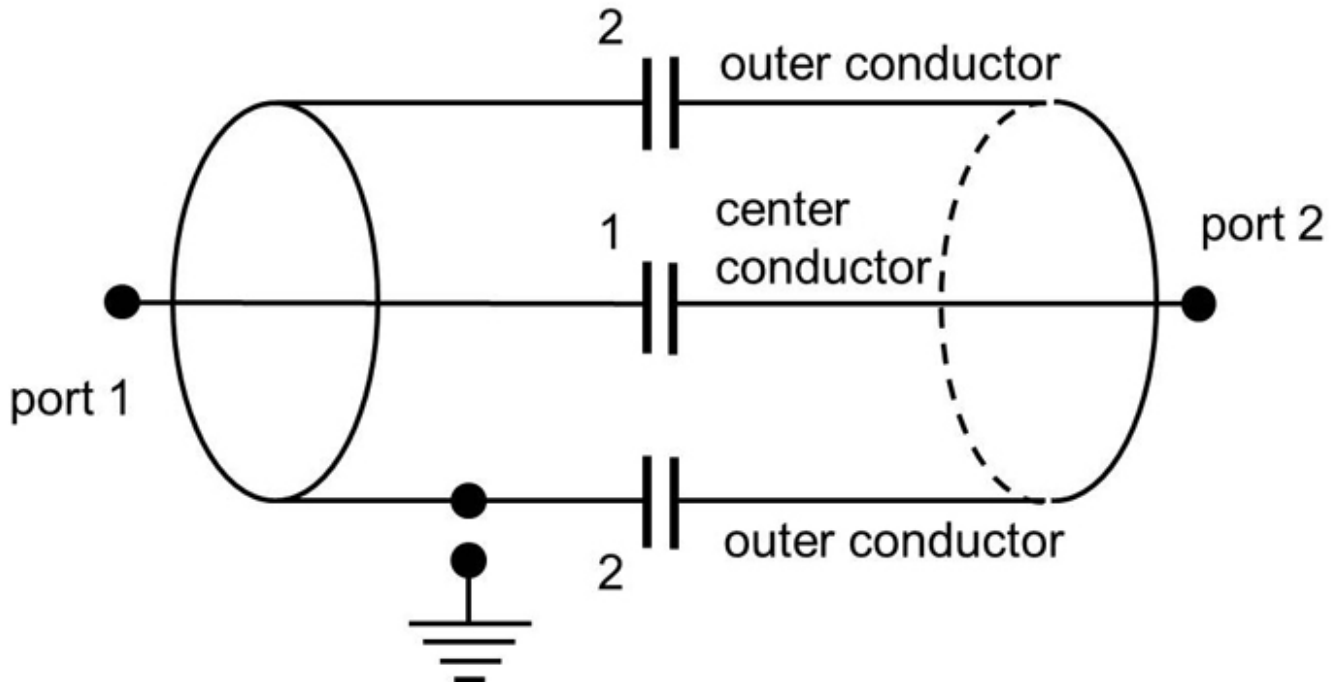
Piece Parts	Material	Surface Plating
Housing	Brass	
Female center contact	Copper Beryllium Alloy	Silver Plating

### Related Documents

Outline drawing	DOU-00065696.1
-----------------	----------------

## High Voltage DC Block 9077.41.0016

Schematic diagram component circuit



1) Center block: Yes

2) Outer block: No

3) Port 1 short: No

4) Port 2 short: No