

## FCPC-Z/M-B101\_100-P

### Description

FC connector, G50/125, G62.5/125, wide key, PC, metal

### Features

- Threaded nut connector
- One-piece design for easy and quick termination
- Very short rigid length
- High mechanical and thermal resistance according to Telcordia GR-326-CORE



### Technical Data

#### General Data

Characteristics	Values
Specified acc. to	IEC 61754-13, TIA 604-4-A
Connector family	FCPC
Connector type	G50/125, G62.5/125
Polishing	PC
Weight in kg	0.004
Material	Metal
Color of housing	Metal

#### Mechanical Data

Characteristics	Values
Operating temperature min. (°C)	-40
Operating temperature max. (°C)	85
Min. mating cycles	1000
Tensile load (N)	100

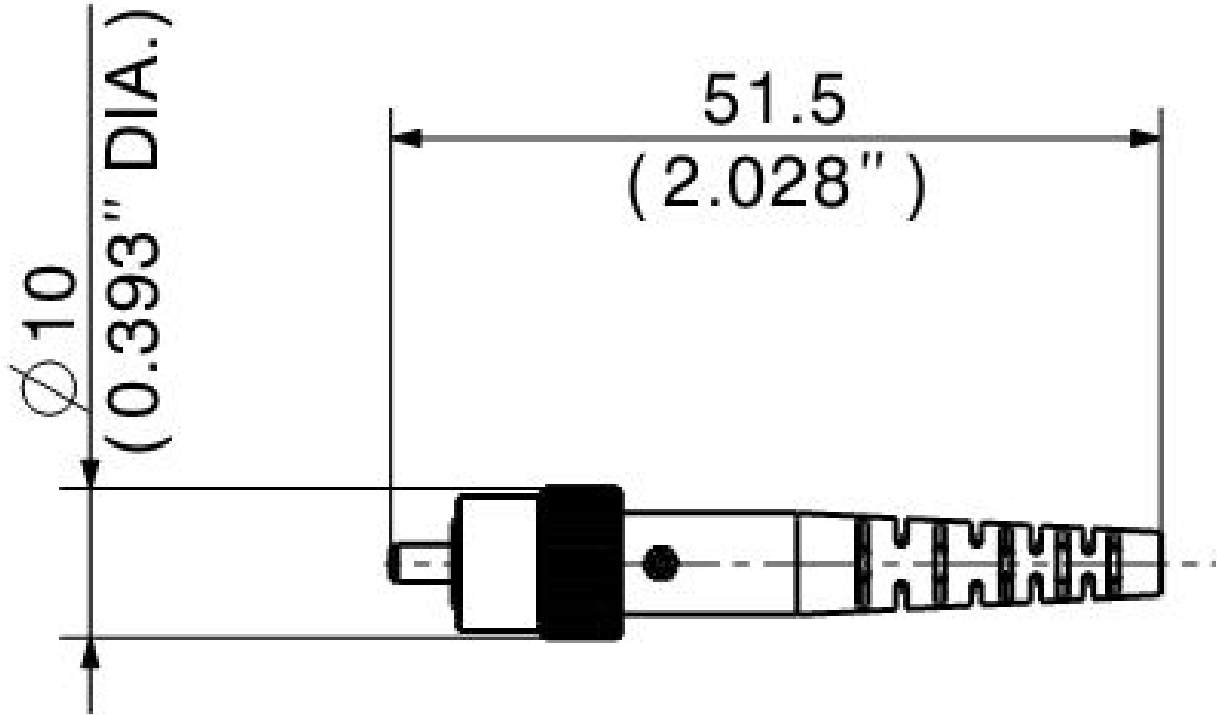
#### Optical Data

Characteristics	PC
IL 97% (dB)	0.5
IL typ. (dB)	0.2
RL (dB)	35

#### Environment Data

Characteristics	Values
Free of halogen	Yes
RoHS compliant	Yes
REACH compliant	Yes
UV resistant	Yes
Flammability rating	UL 94 V-0

### Technical drawing



### Ordering information

Description	Item number
FCPC-Z/M-B101_100-P	84010569