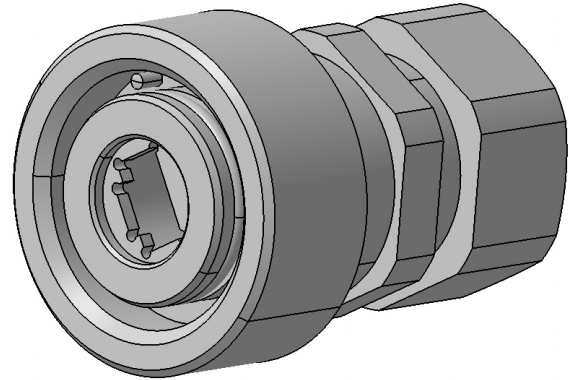


Accessory 9073.99.0002

Description

RJ45 Plug Kit



Technical Data

Accessory option for Data Line Protector 3414.99.0009
Connector engagement with rotation locking

Mechanical Data

Weight 0.089 g

Environmental Data

Operating temperature -40 °C to +85 °C
2011/65/EU (RoHS) compliant

Related Documents

Outline drawing	DOU-00074330.1
Mounting instruction	DOC-0000239690