

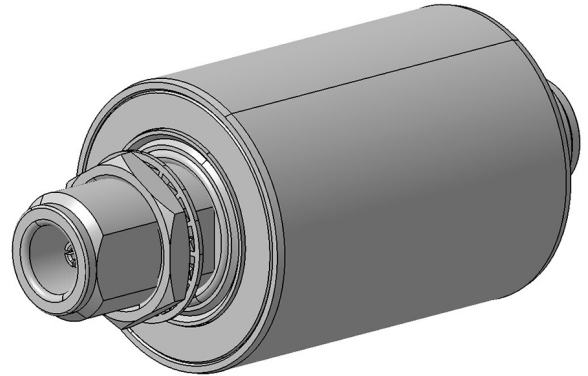
EMP Protector 3403.17.0060

Description

Fine protector hybrid technology

Benefits

- Broad-band design
- DC continuity for remote powering
- Permanently installed gas discharge tube
- Compliant to IEC 61643-21



Product Configuration

Main path connectors	Port 1: <u>unprotected</u> , N jack (female) - Port 2: <u>protected</u> , N jack (female)
Mounting and grounding	MH12 (bulkhead mounting), brk (bracket)
Side of bulkhead	protected side

Technical Data

Electrical Data

Impedance	50 Ω
Frequency range	800 - 2500 MHz
Return loss	≥ 26.44 dB
Insertion loss	≤ 0.3 dB
RF CW power	≤ 50 W
PIM 3rd order	not specified
DC supply voltage	≤ 6 V
DC current	≤ 4 A
Surge current handling capability	20 single kA (test pulse 8/20 μs)
Residual pulse energy	6 μJ typically (test pulse 4 kV 1.2/50 μs / 2 kA 8/20 μs) main path - protected side

Mechanical Data

Number of matings	100
Weight	95 g

Environmental Data

Operating temperature	-40 °C to +85 °C
Waterproof degree	IP67 (according to IEC 60529, data refer to the coupled state)
2011/65/EC (RoHS)	compliant

Material Data

Piece Parts	Material	Surface Plating
Housing	Aluminium	
Port 1 center contact	Copper Beryllium Alloy	Gold Plating (without Nickel underplating)
Port 2 center contact	Copper Beryllium Alloy	Gold Plating (without Nickel underplating)

Related Documents

Outline drawing	DOU-00090632.1
Mounting instruction	DOC-0000176104

Remarks

Recommendation: if this protector is mated with connectors made of copper-alloy base material and trimetal or nickel plating the connector area must be taped to improve long-term durability.

