

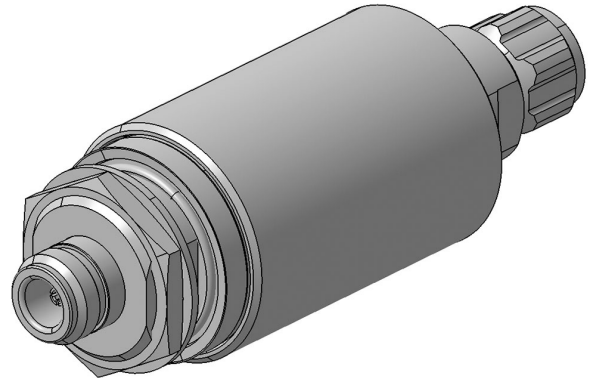
High Voltage DC Block 9077.17.0035

Description

Broadband HIGH VOLTAGE DC-DC Block

Benefits

- Inner and outer conductor blocked (DC-DC Block)
- Can also be installed reversely
- Broadband operation
- Grounding feature



Product Configuration

Port 1 connector	N plug (male)
Port 2 connector	N jack (female), side of bulkhead
Mounting	MH110 (bulkhead mounting)

Technical Data

Electrical Data

Impedance	50 Ω		
Frequency Range	160 to 6000 MHz	160 to 3000 MHz	4900 to 6000 MHz
Return loss		≥ 22 dB	≥ 20 dB
Insertion loss		≤ 0.2 dB	≤ 0.2 dB
RF avg. power		≤ 500 W	≤ 200 W
RF peak power		≤ 1000 W	≤ 400 W
PIM 3rd order		-150 dBc typ.	not specified
Blocking voltage center cond.	≤ 4000 VDC		
Blocking voltage outer cond.	≤ 4000 VDC		
Leakage current	≤ 5 μ A		

Mechanical Data

Weight	459 g
--------	-------

Environmental Data

Operating temperature	-40 °C to +85 °C
Waterproof degree	IP65

Material Data

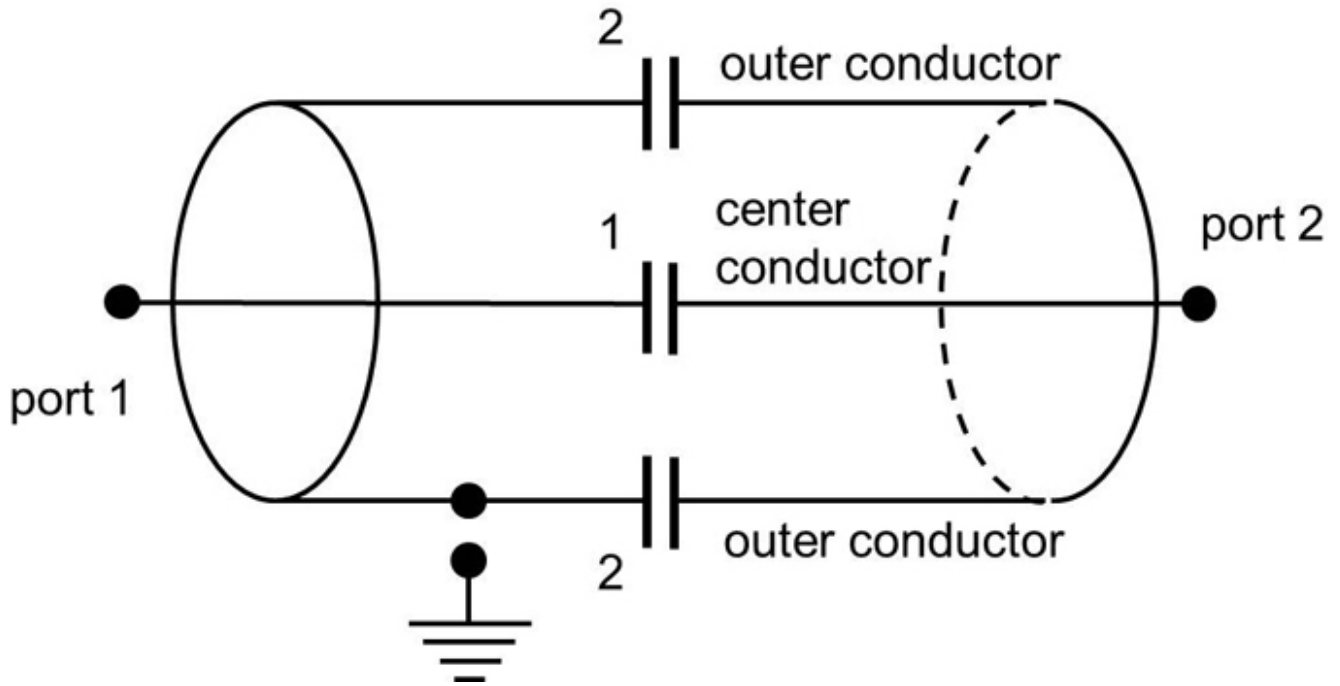
Piece Parts	Material	Surface Plating
Housing	POM (Polyoxymethylene)	
Female center contact	Copper Beryllium Alloy	Gold Plating (without Nickel underplating)

Related Documents

Outline drawing	DOU-00119408.1
-----------------	----------------

High Voltage DC Block 9077.17.0035

Schematic diagram component circuit



1) Center block: Yes

2) Outer block: Yes

3) Port 1 short: No

4) Port 2 short: No