

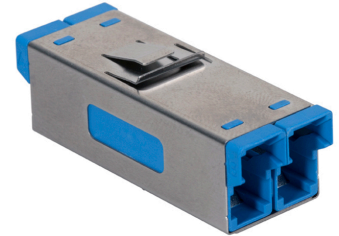
## FLSH-FLSH-A100-02\_100-P

### Description

LSH adaptor, SM, UPC, blue, duplex, integrated fixing spring, flangeless

#### Features

- Automatic metal shutter in adaptor for dust protection and laser safety
- Ideal for HighPower applications



### Technical Data

#### General Data

Characteristics	Values
Specified acc. to	IEC 61754-15, TIA 604-16
Adaptor family	LSH
Adaptor type	SM UPC,
Weight in kg	0.0116
Material	Plastic
Color of housing	Blue

#### Mechanical Data

Characteristics	Values
Operating temperature min. (°C)	-40
Operating temperature max. (°C)	85
Min. mating cycles	1000

#### Optical Data

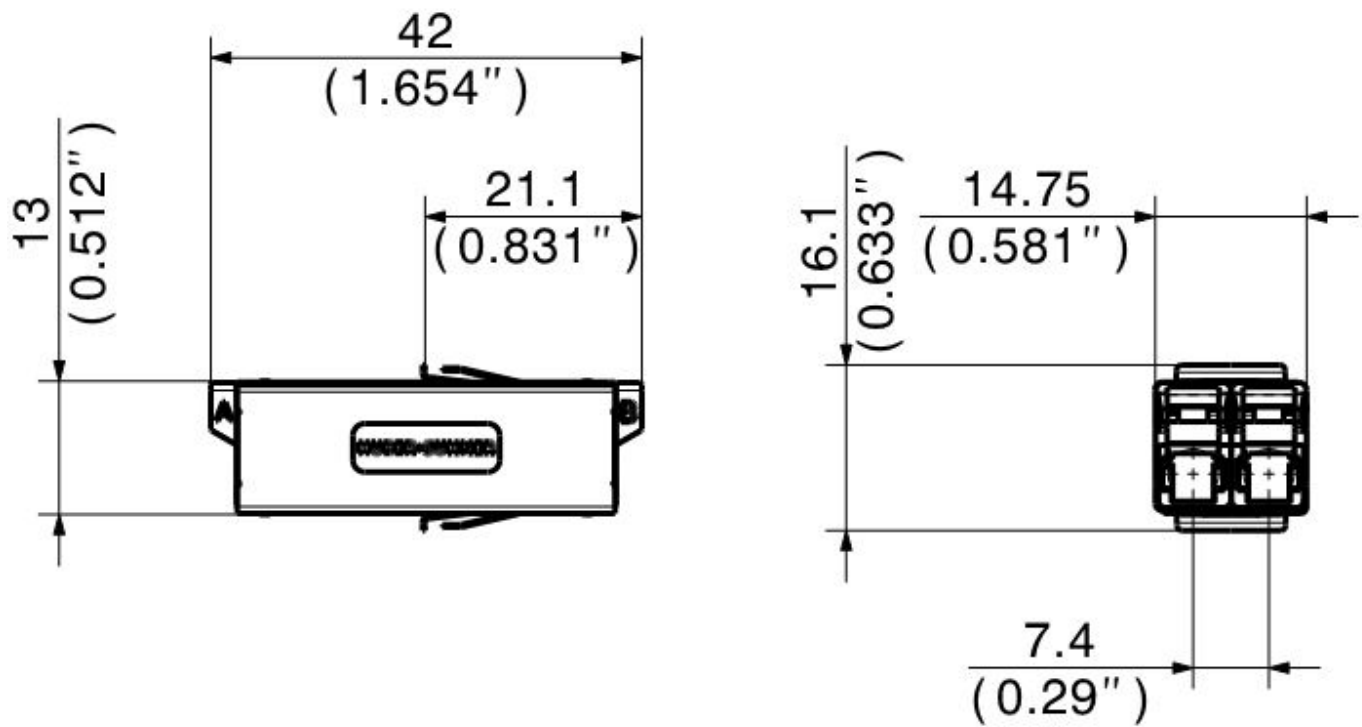
Characteristics	Values
IL repeatability (dB)	0.1

#### Environment Data

Characteristics	Values
RoHS compliant	Yes
REACH compliant	Yes
UV resistant	Yes
Flammability rating	UL 94 V-0
Free of halogen	Yes

FLSH-FLSH-A100-02\_100-P

## Technical drawing



## Ordering information

Description	Item number
FLSH-FLSH-A100-02_100-P	84072377