

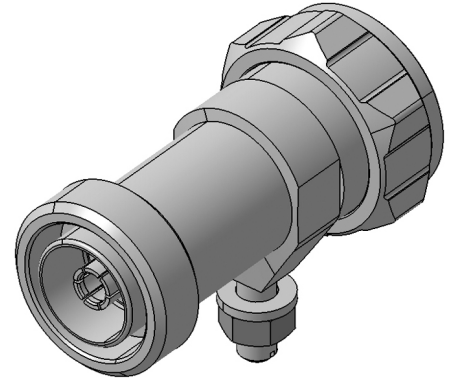
High Voltage DC Block 9077.41.0035

Description

Broadband DC-Block

Benefits

Broadband operation
 Can also be installed reversely



Product Configuration

Port 1 connector	7/16 jack (female)
Port 2 connector	7/16 plug (male), side of bulkhead
Mounting	M6 (screw)

Technical Data

Electrical Data

Impedance	50 Ω	
Frequency Range	350 to 3000 MHz	650 to 2700 MHz
Return loss	≥ 20 dB	≥ 26.5 dB
Insertion loss	≤ 0.1 dB	≤ 0.1 dB
RF avg. power	≤ 370 W	
RF peak power	≤ 10000 W	
PIM 3rd order	-160 dBc typ.	
Blocking voltage center cond.	≤ 1000 VDC	
Leakage current	≤ 5 μ A	

Mechanical Data

Weight	169689 g
--------	----------

Environmental Data

Operating temperature	-40 $^{\circ}$ C to +85 $^{\circ}$ C
Waterproof degree	IP67

Material Data

Piece Parts	Material	Surface Plating
Housing	Brass	
Female center contact	Bronze	Silver Plating

Related Documents

Outline drawing	DOU-00140566.1
-----------------	----------------

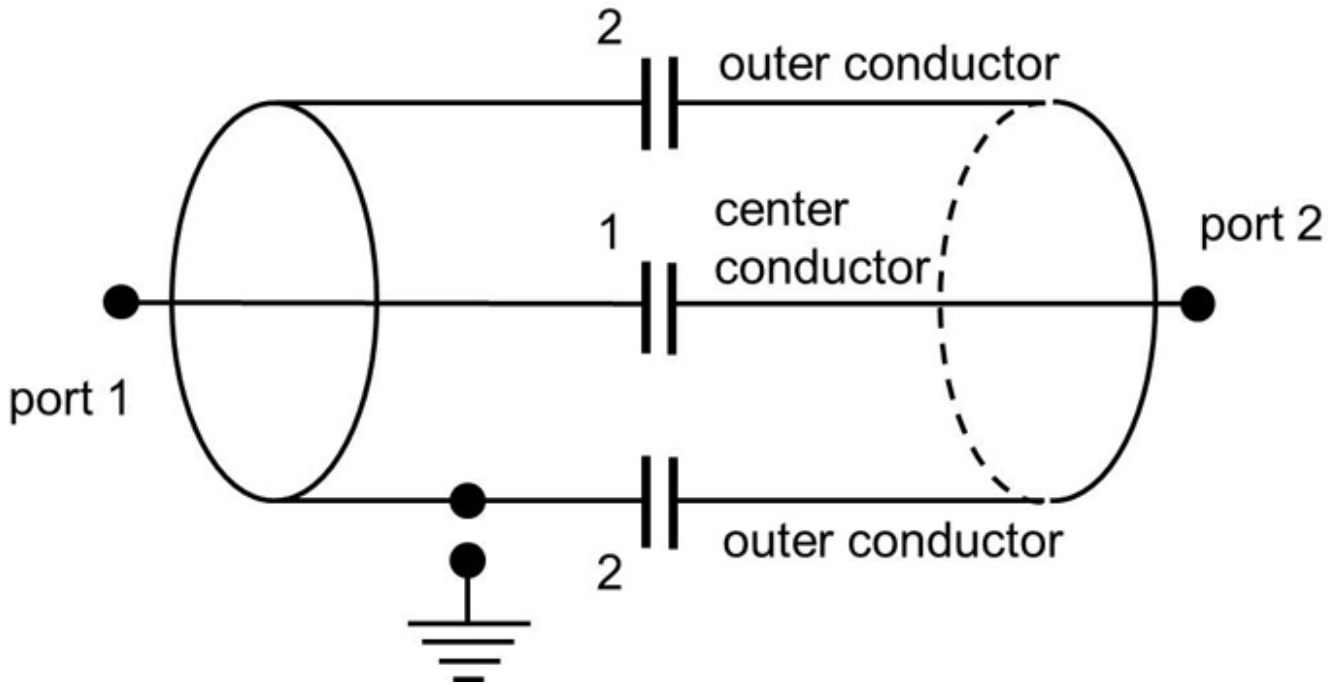
Additional Information

Remarks

- Peak Instantaneous Power (PIP) : 25 kW
- Isolation : > 40dB @ 100kHz , > 60dB @ 10kHz , > 80dB @ 1kHz

High Voltage DC Block 9077.41.0035

Schematic diagram component circuit



1) Center block: Yes

2) Outer block: No

3) Port 1 short: No

4) Port 2 short: No