

CDR - Cable distribution rack

Description

CDR09, patch cord management, 47U x 300 x 300mm, perforated door, black
 CDR09-47U-BK-PDLR-STA



Features

- Only 300 mm deep and completely front-accessible
- Lightweight 2-post design for improved access to cables
- Available as 900 mm or 1200 mm wide variants
- Up to 1620 duplex LC ports per 47U 900 mm cabinet
- Up to 1080 MPO ports per 47U 1200 mm cabinet
- Integrated cable over-length management
- Perforated doors to match nearby equipment cabinets
- Quick release doors without tools
- Mount against an unused wall or at the end of row or
- Back-to-back mount on a single floor tile of 600 mm
- Large apertures for all cable types, sizes and quantities
- Fast installation of sub-racks from the front side
- Easy mounting of sub-racks with unit position number strips
- Side by side mounting with clear cable routing

Technical data

Mechanical data

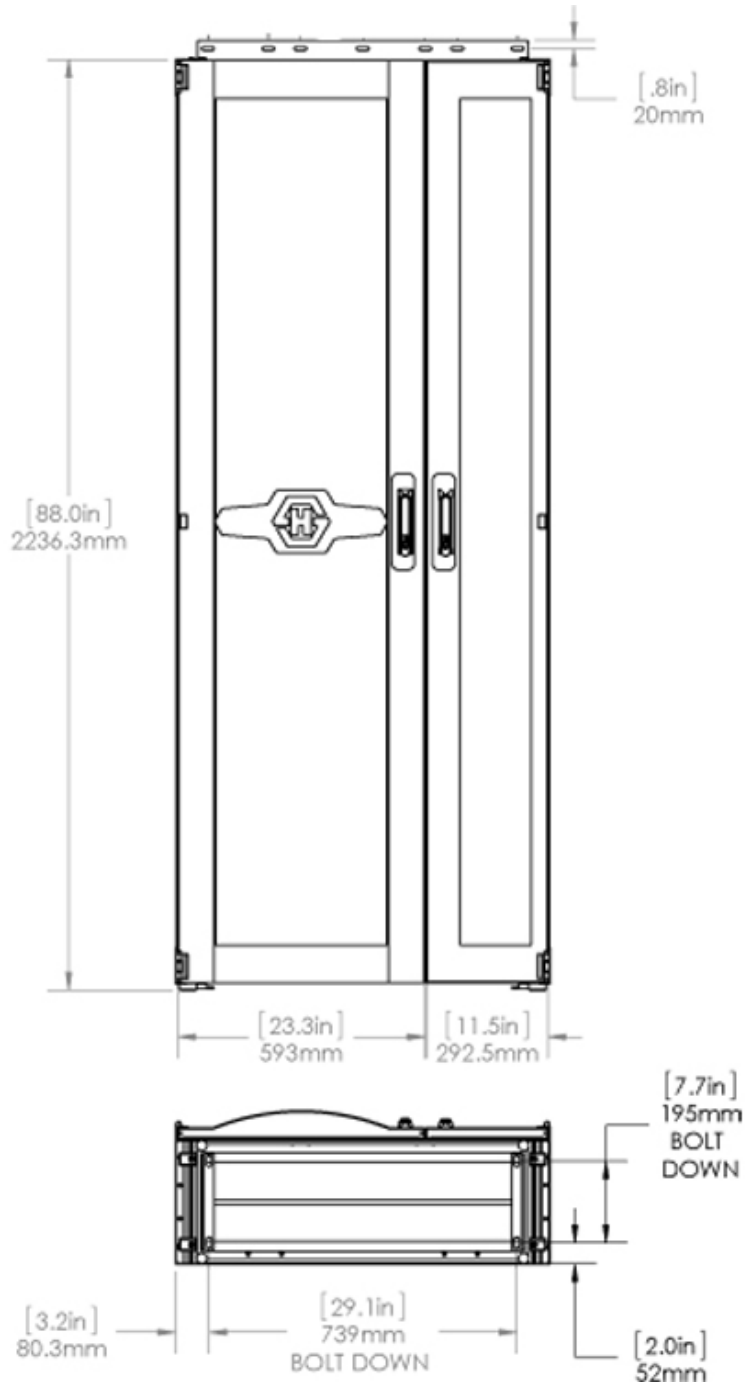
Characteristics	Values
Product family	CDR
Rack type	Cabling rack
Dimension (Width x Length x Height) (mm)	900 x 300 x 2200
Dimension (Width x Length x Height) (inch)	35.4 x 11.8 x 86.6
Rack height (U)	47
Weight (kg)	123.4
Weight (lbs)	272.1
Material Frame	aluminium
Material Cover	metal sheet
Colour Frame	silver
Colour Cover	jet black (RAL 9005)

Environmental data

Characteristics	Values
Temperature resistance (min to max) (°C)	-46 to 81
Temperature resistance (min to max) (°F)	-50.8 to 177.8
Flammability rating	UL 94 V-0
Chemical resistance	Yes
UV resistance	Yes
Free of halogen	Yes
RoHS compliant	Yes
REACH compliant	Yes

CDR - Cable distribution rack

Technical drawing



Ordering information

Description	Item number
CDR09, patch cord management, 47U x 300 x 300mm, perforated door, black	85029082

Accessory

COVER-CABLE-FIX-PLATE-19"-BK	84076533
OFPT-5.0-3.3-PBT-V0-BK-100m	84014502
NGR-B/OUT-PLT-CTF-19"-10CSM-BK	84088572
OFPT-S-5.0-3.3-PBT-V0-BK-100m	85017566
CDR09-ROUT-CHAN-SR	85029682

CDR - Cable distribution rack

NGR-CONCRETE-KIT_4-P	84091849
CDR00-MAN-3DIV	85029681
CDR00-DIV-PLATE-VERT-SR	85029683
CDR00-FFK-RF-1	85029106

Related Documents

Installation manual	DOC-0000719356
---------------------	----------------