

INSTALLATION MANUAL

HUBER+SUHNER AG
Fiber Optics
Fiber Management Systems
DOC-0000642923 Rev A
Date: 28/04/2015

Page 1 of 4

SmartCabin

Table of contents

- INSTALLATION OF THE CABINET 1
- MICRODUCT AND CABLE FIXATION 2
- CASSETTES AND SPLICING 4



INSTALLATION OF THE CABINET

Step 1

Please use the included mounting instruction

Scope of delivery:

- According BOM

Required tools:

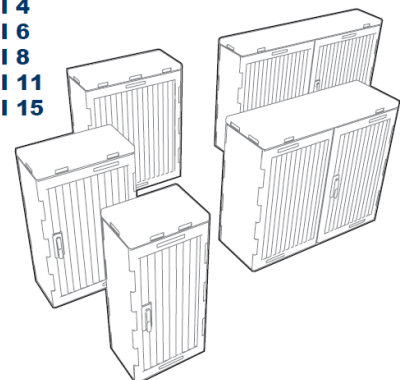
- Fiberoptic equipment and tools

Montageanweisung
Mounting Instructions



Gehäuse / Cabinet

82
UNI 4
UNI 6
UNI 8
UNI 11
UNI 15



Basismontageanweisung (Standardgehäuse)
Basic mounting instructions (Cabinet standard)

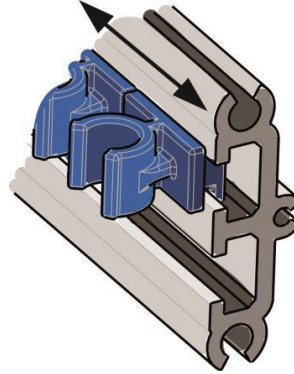
Step 2

In case of any question regarding fixation of the cabinet, please check the homepage.

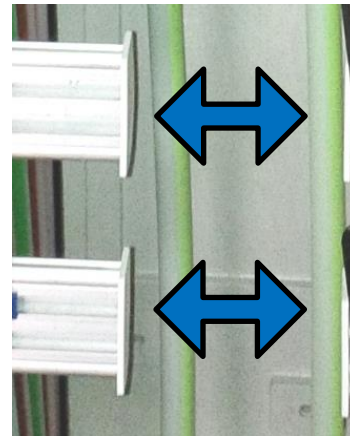
www.sichert.com

MICRODUCT AND CABLE FIXATION

Step 3 Slide the micro-duct fixation clips into the rails



Step 4 Fix the end caps at the end of the rail



Step 5 Feed the micro ducts through the foam-pad (work from back to front) and fix the micro duct bundles in the base of the cabinet.



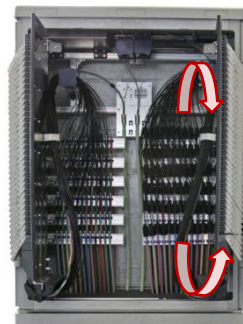
- Step 6** Snap the micro ducts into the clips (Cut the ducts close above the clip and fit the gas blocker or the blind cap)



- Step 7** Fix incoming tubes or loose tube cables to the cable fixing plate

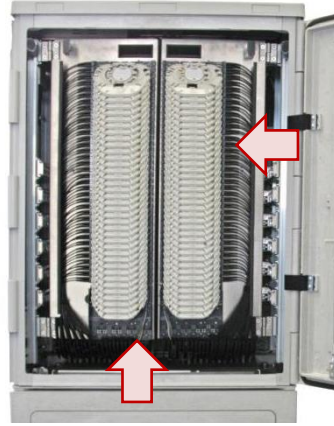


- Step 8** After blowing in the cables, guide them over the mandrels to the front side with the cassettes.



CASSETTES AND SPLICING

Step 9 Fix the cable at the bottom of the ACS routing plate or sideways with CRC set at the ACS base



Step 10 CRC sleeves according to DOC-0000603686



Step 11 ACS Cassettesystem according to DOC-0000403728

