

Mounting Instruction



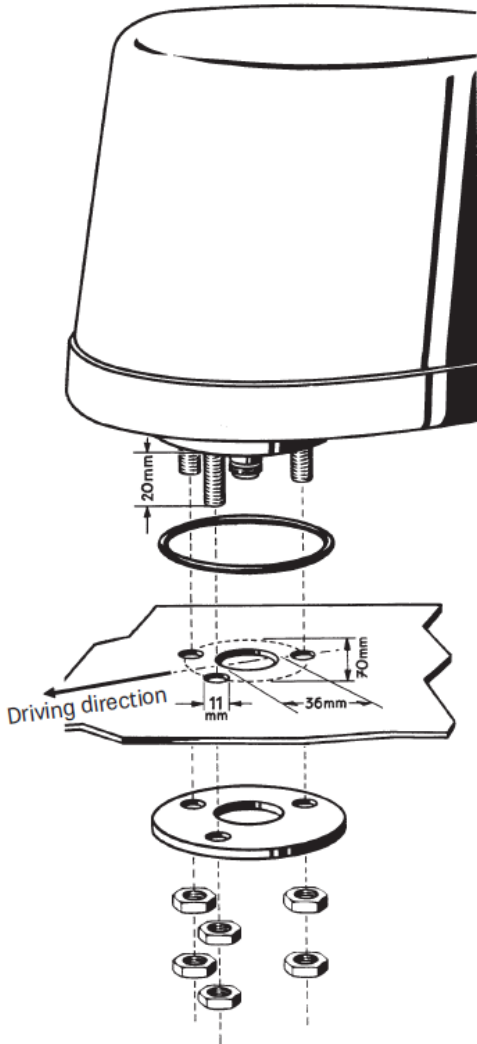
Keep away from catenary and high voltage lines.
Be careful when working at height!
Always secure ladders!
Always tighten screws!



Avoid bringing the cover of the antenna into contact with acetone, gasoline or oil.

Dimensions in millimeter [mm]

Mounting



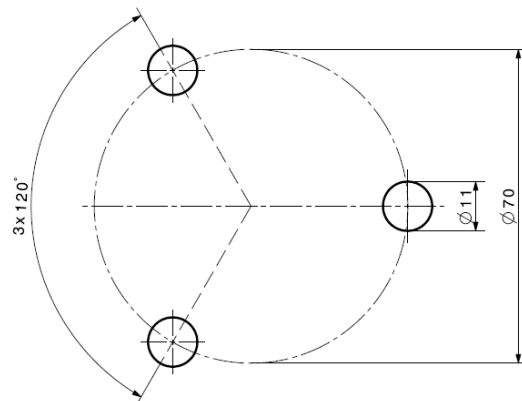
Mounting:

On a conductive surface 1.0 x 2.0 m minimum with 3 studs M10 and counter flange. Recommended torque: 14Nm
Note: No superstructures in this area.

Scope of supply:

Antenna with 3 studs, each with 2 nuts, 1 rubber gasket and 1 counter flange.

Hole pattern:



Grounding

DC grounded to protect against lightning and high-tension lines.

HUBER+SUHNER is certified according to ISO 9001, ISO 14001

Waiver: It is exclusively in written agreements that we provide our customers with warrants and representations as to the technical specifications and/or the fitness for any particular purpose. The facts and figures contained herein are carefully compiled to the best of our knowledge, but they are intended for general information purposes only.

HUBER+SUHNER – Excellence in Connectivity Solutions