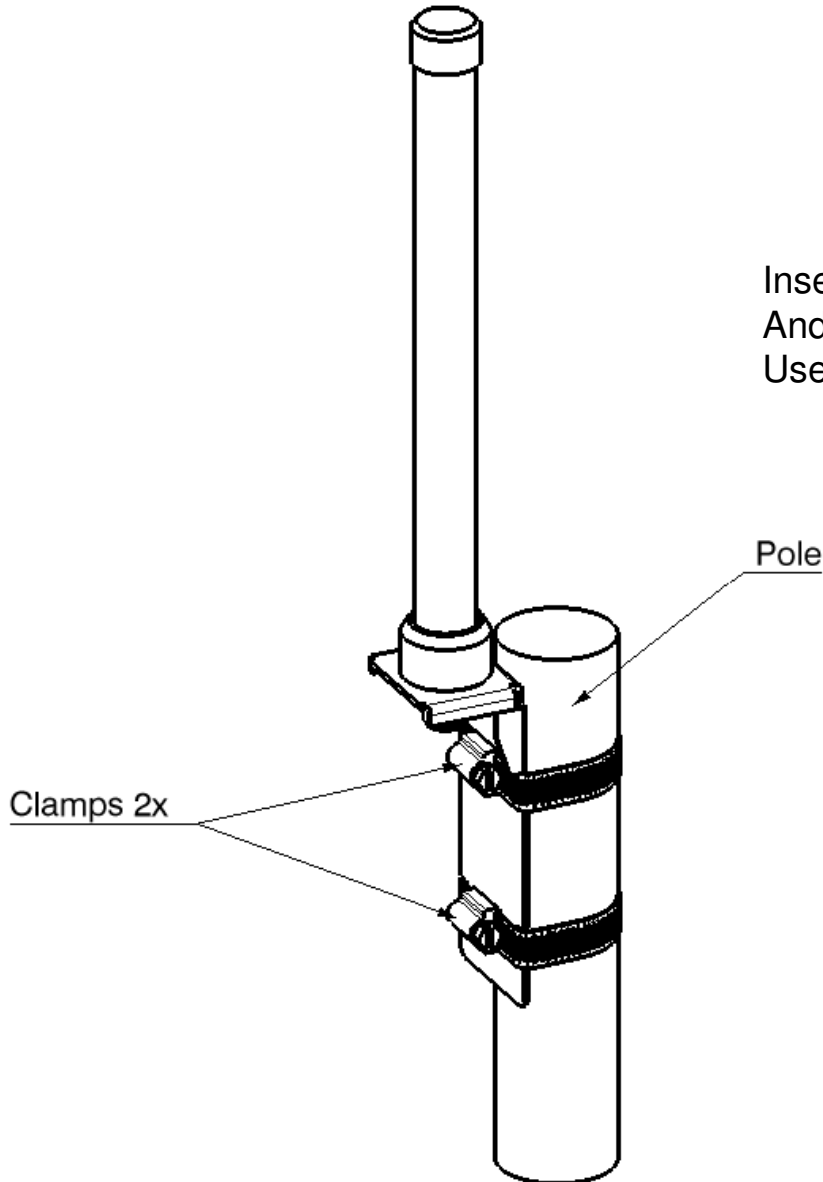


HUBER+SUHNER®  
OMNI ANTENNA  
FOR WIRELESS COMMUNICATION



Mounting Instruction



Insert the clamps into the bracket  
And tighten it to the pole.  
Use tightening torque of 3.5 Nm

Security instructions see HUBER+SUHNER document number DOC-0000278984.  
The document can be ordered at HUBER+SUHNER AG, Switzerland.

HUBER+SUHNER is certified according to ISO 9001 and ISO 14001

**WAIVER!**

It is exclusively in written agreements that we provide our customers with warrants and representations as to the technical contained specifications and/or the fitness for any particular purpose. The facts and figures herein are carefully compiled to the best of our knowledge, but they are intended for general informational purposes only.

HUBER+SUHNER – Excellence in Connectivity Solutions



**HUBER+SUHNER AG**  
**RF Technology**  
**9100 Herisau, Switzerland**  
Phone +41 (0)71 353 41 11  
Fax +41 (0)71 353 47 51  
www.hubersuhner.com

Document no. : DOC-0000296554  
Item no. : 84079759  
Revision B