

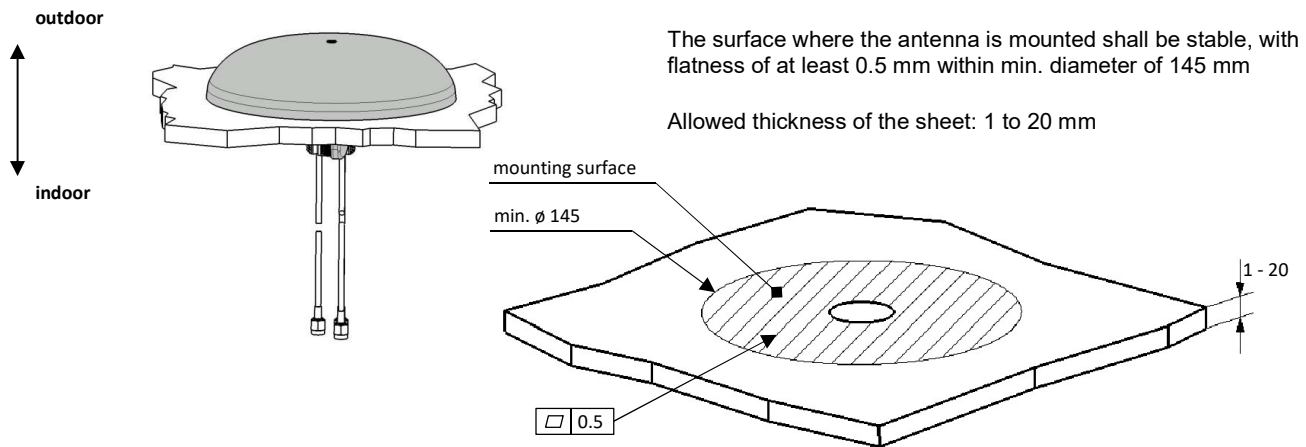


Mounting Instruction

OMNI-S antenna Cabinet mount or bracket mount

	⚠ DANGER Keep away from catenary and high voltages lines.		NOTICE ESD (electrostatic discharge) sensitive device. Always ground yourself while handling the GPS connector. For more Information, see the security instruction for this product on the Huber + Suhrner website.
	⚠ WARNING Be careful when working at height! Always secure ladders!		
NOTICE Always tighten screws!			

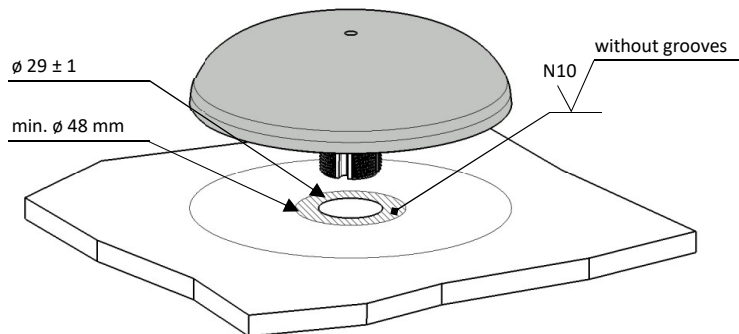
Mounting surface



The surface where the antenna is mounted shall be stable, with flatness of at least 0.5 mm within min. diameter of 145 mm

Allowed thickness of the sheet: 1 to 20 mm

Drilling holes and preparation of mounting surface

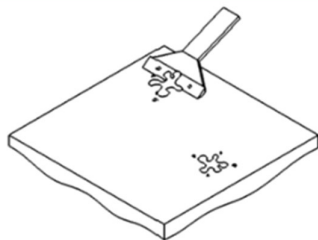


Drill the mounting hole ($\varnothing 29 \pm 1$ mm).

The sealing function is dependent on the quality of the surface.

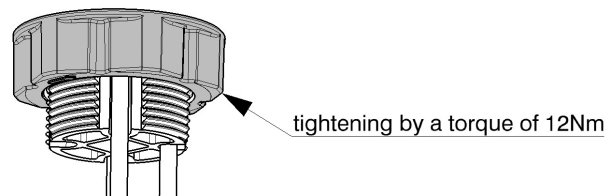
The specified IP protection on outdoor side is achieved, if a flat area of min. D 48 mm around the mounting hole achieves roughness of $\leq N10$ w/o any groove.

Preparation of surface



Clear the area where the antenna is mounted from paint, corrosion, anodized layer, dust, cutting chip, burrs, oil and grease.

Mounting without bracket



Remove the nut from the shaft.

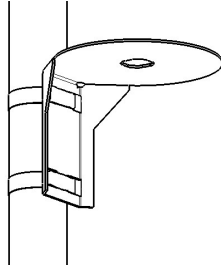
Pass the pigtails through the hole and then through the nut.

Mount the antenna by tightening the nut by a torque of 12Nm. Make sure that the nut is properly tightened, so that the seal is fully pressed. Mounting with spanner size SW36 (1"7/16) or wrench.

Mounting Instruction

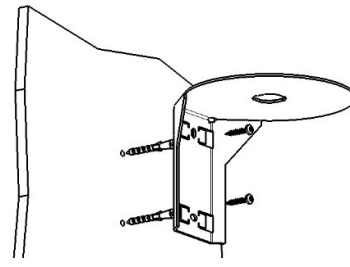
OMNI-S antenna Cabinet mount or bracket mount

Mounting with bracket kit



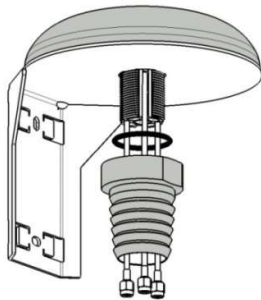
Pole mounting

Mount the bracket on a mast by using two hose clamps with a width of 14 mm (not included). The pole should have a diameter of 50 to 115 mm.

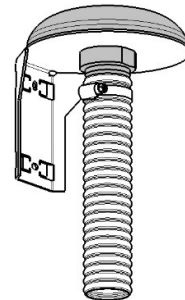
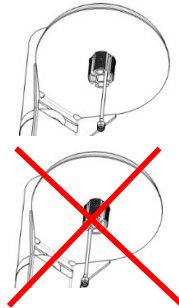


Wall mounting

Mount the bracket on a wall by using two screws. Anchors should be used depending on the type of the wall.



Pass the cables through the hole and then through the nut that is supplied with the bracket. The O-ring shall be carefully put into the groove on top of the nut first. Mount the antenna by tightening the nut with a torque of 5 to 15 Nm.



To protect the antenna against environmental influences the cable entry has to be sealed with a cable conduit tube.

For achievement of good sealing use tubes with a flat interior surface and an inside diameter of 36 to 39 mm depending of the radial flexibility of the tube. However the tube has to be pushed until the end of the corrugated shaft of the nut (\varnothing 40mm).

NOTICE

In case of using one-port product configurations, avoid antenna mounting with pigtail port positioned next to the pole.

Fix the tube on the nut with a hose clamp.

Connection of cables

Connect the pigtails. Apply torque according to the connector interface specification.

Minimum bending radius of cable under static condition is 5 mm.

Unused connectors shall be terminated.

NOTICE

Hold the pigtail connectors during cable attachment. Avoid all tension, torsion and bending forces.

GPS connector (if present):

GPS with LNA (check product datasheet): Take ESD precautions (ground yourself).

Inner conductor: 3...5 V

Outer conductor: GND



General remarks

In the final position of the antenna, the cable outlet and the connectors need to be protected against environmental impacts (indoor environment). Otherwise a cable conduit tube has to be used.

This product can be returned to HUBER+SUHNER for recycling at the end of its useful life. Please contact your local agent.