

## Mounting Instruction

### SENCITY® Rail MULTI Antenna 5-Port



Keep away from catenary and high voltage lines.  
Be careful when working at height!  
Always secure ladders!  
Always tighten screws!



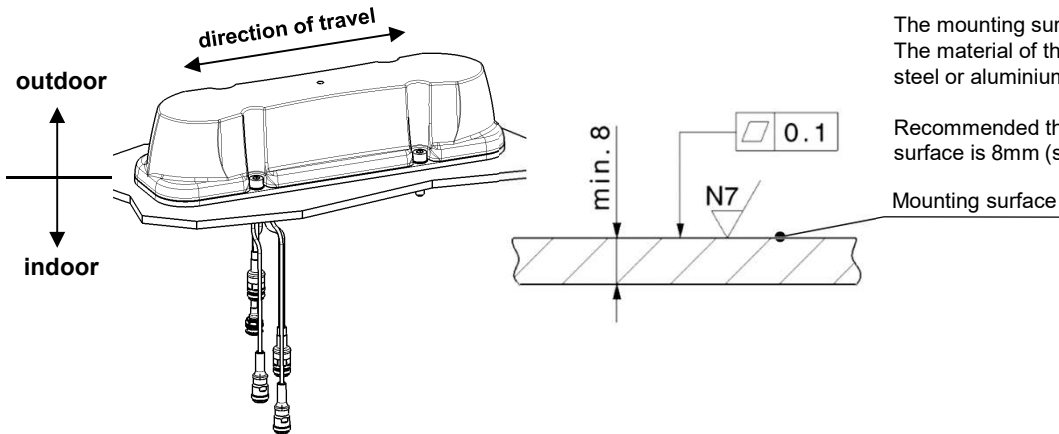
**Caution!** ESD (electrostatic discharge) sensitive device. Always ground yourself while handling the GNSS connector. For more information, see the Security Instruction for this product on the Huber + Suhner website.



Avoid bringing the cover of the antenna into contact with acetone, gasoline or oil.

Dimensions in millimeter [mm]

#### Mounting surface

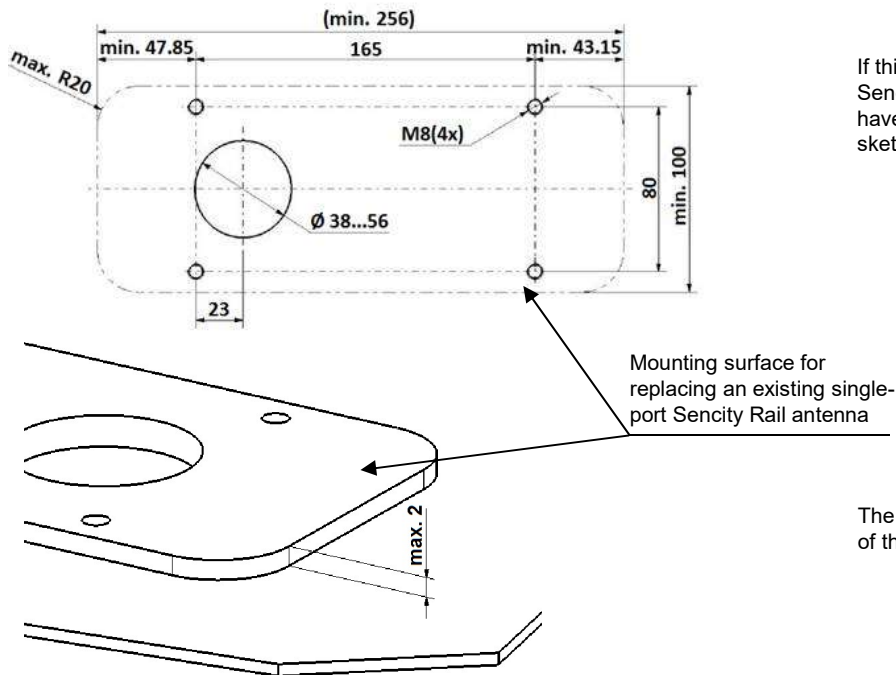


The mounting surface shall be planar and stable. The material of the mounting surface shall be steel or aluminium.

Recommended thicknesses of the mounting surface is 8mm (steel) or 12mm (aluminium).

Mounting surface

#### Replacement of an existing antenna

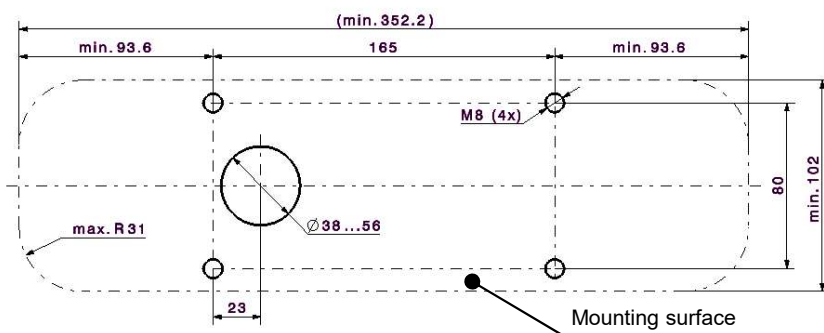


If this antenna will replace an existing single-port Sencity Rail antenna, the mounting surface must have the minimum dimensions as shown in the sketch.

Mounting surface for replacing an existing single-port Sencity Rail antenna

The height of the slot between the overlapping part of the antenna and the roof must be  $\leq 2$  mm.

#### Drilling of threaded holes for a new antenna deployment



Find a suitable mounting surface and drill the mounting holes according to the sketch.

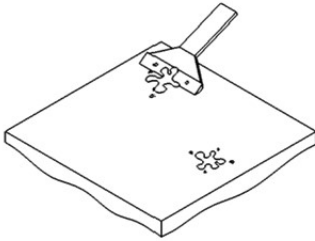
The mounting surface must have the minimum dimensions as shown in the sketch.

Mounting surface

## Mounting Instruction

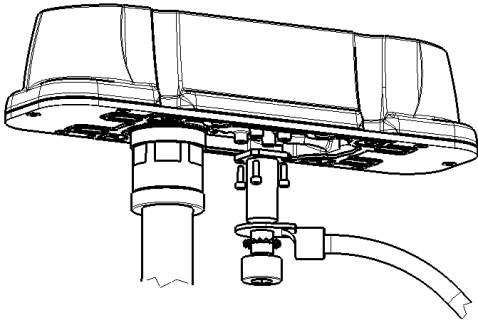
### SENCITY® Rail MULTI Antenna 5-Port

#### Preparation of roof



Clear the area where the antenna is mounted from paint, corrosion, anodized layer, dust, cutting chip, oil and fat.

#### Installation on bracket: Mounting of cable conduit and grounding kit

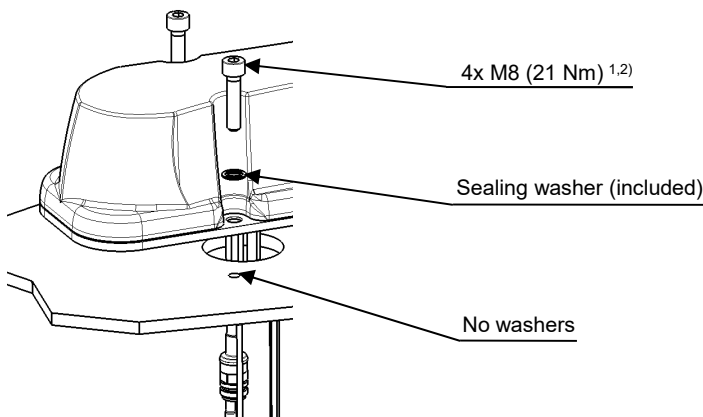


When mounting the antenna onto a bracket, the cable entry has to be protected against environmental impact. If the mounting surface doesn't fulfill the requirements mentioned above, the antenna has to be grounded using a separate grounding cable.

The conduit support kit (Art. no. 84079593) allows the use of standard M40x1.5 conduit guides. Please refer to the mounting instruction of article 84079593.

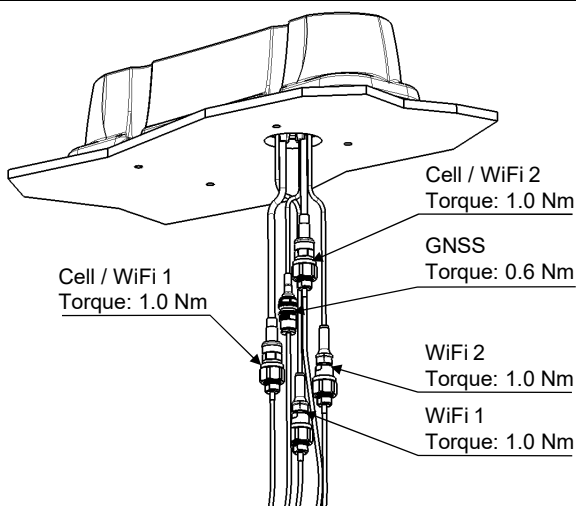
The grounding kit (Art. no. 84079030) allows the connection of a grounding cable. Please refer to the mounting instruction of article 84079030.

#### Mounting



- 1) For a minimum 8mm thick mounting surface, use screws with a minimum length of 14mm. For a minimum 12mm thick mounting surface, use screws with a minimum length of 18mm.
- 2) Use mounting screws according to ISO 4762. Screws are not included.

#### Connection of cables



Connect the cables. Apply the indicated torque according to the connector.

Hold the pigtail connectors during cable attachment. Avoid all tension, torsion and bending forces.

Cable minimum bending radius: 5 mm

GNSS connector (if present):

**GNSS without LNA** (check product datasheet): Do not apply a voltage as this antenna is DC grounded.

**GNSS with LNA** (check product datasheet): Take ESD precautions (ground yourself).  
Inner conductor: 3...5 V  
Outer conductor: GND



#### General remarks

In the final position of the antenna, the cable outlet and the connectors need to be protected against environmental impacts (indoor environment).

This product can be returned to HUBER+SUHNER for recycling at the end of its useful life. Please contact your local agent.