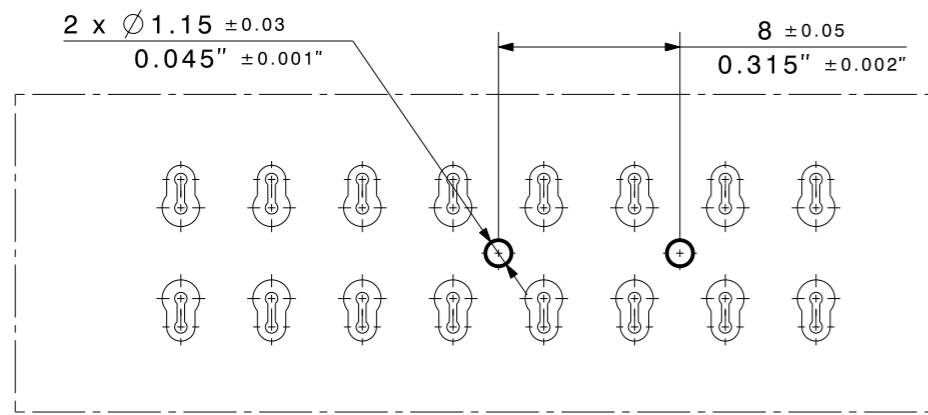
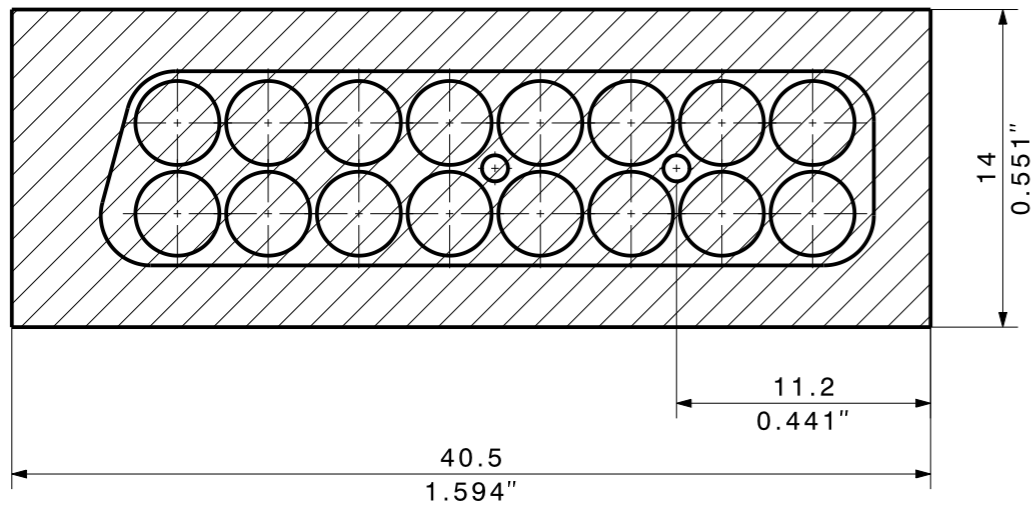


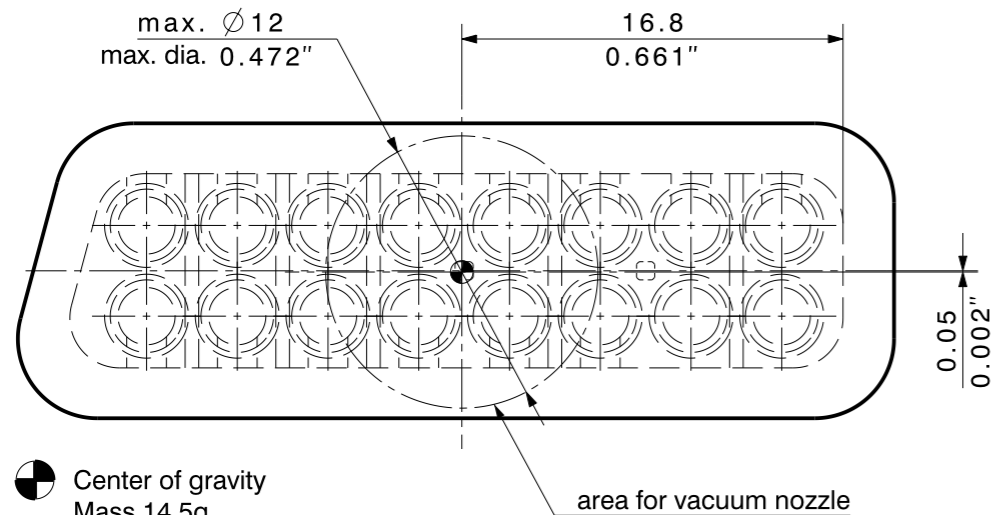
Optimized PCB layouts for different board material/stack-up on request.
Please contact HUBER+SUHNER.

Minimal space needed for coupling of counter part.
Do not place other parts closer than marked area!



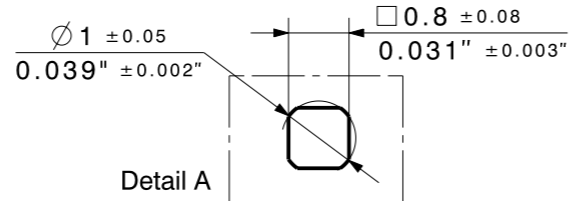
Mounting hole

top view

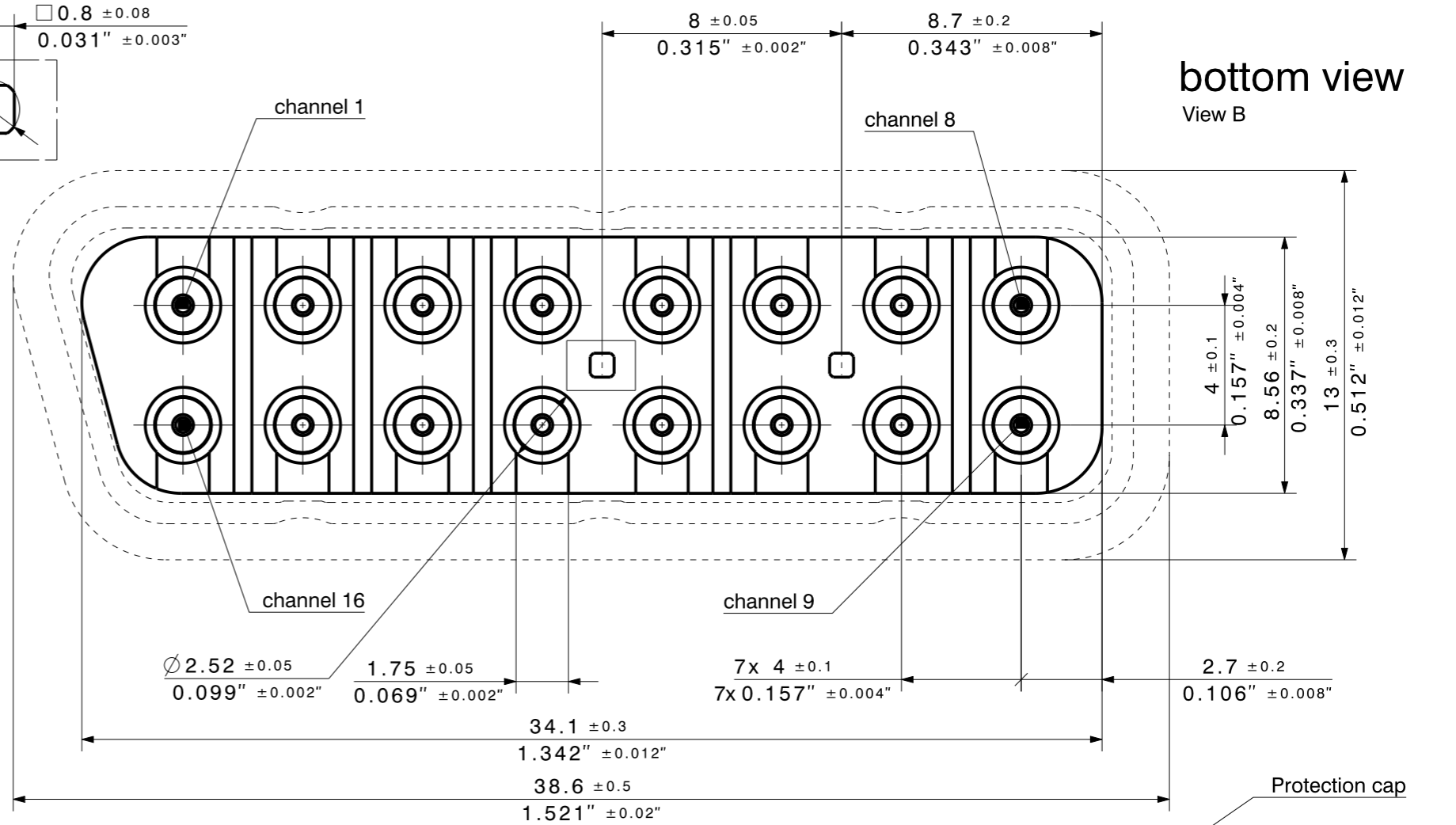


Center of gravity
Mass 14.5g

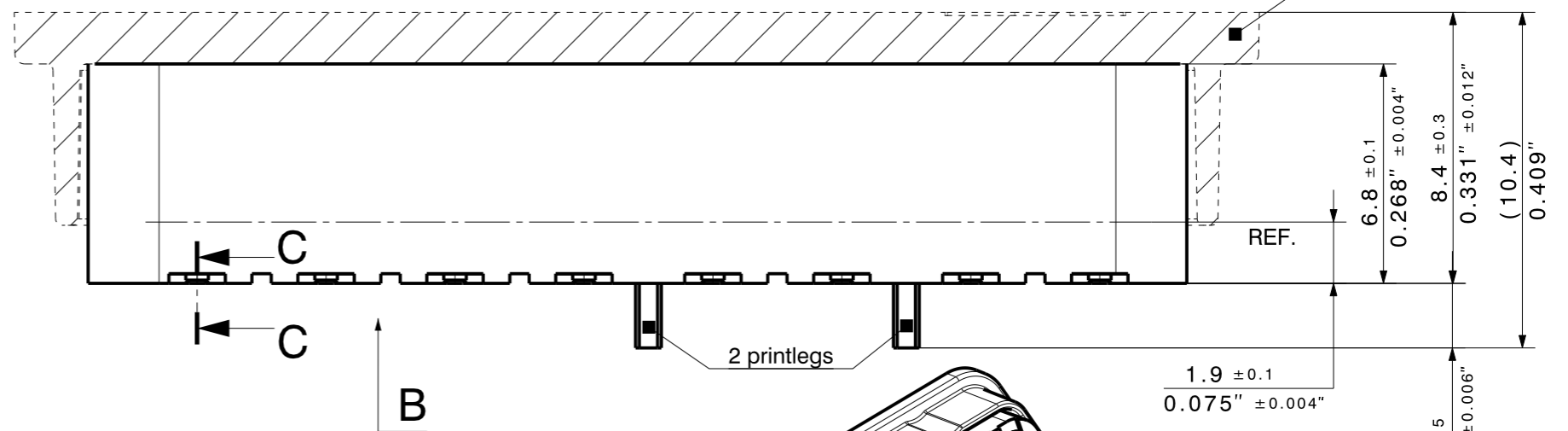
area for vacuum nozzle



Detail A

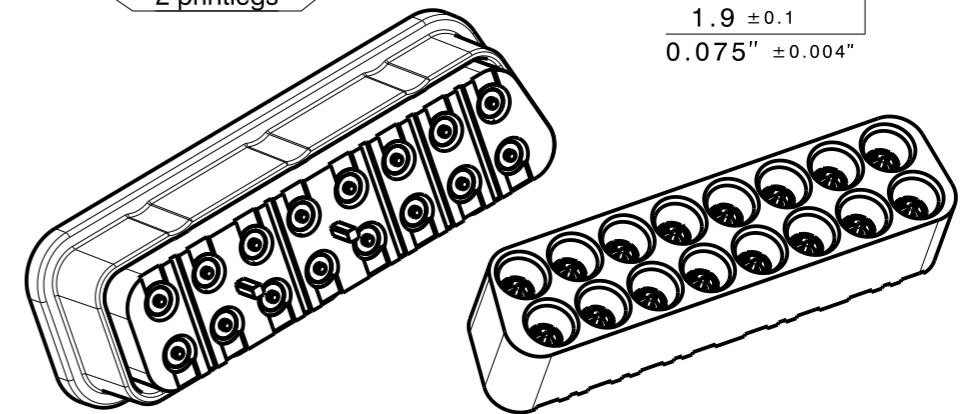
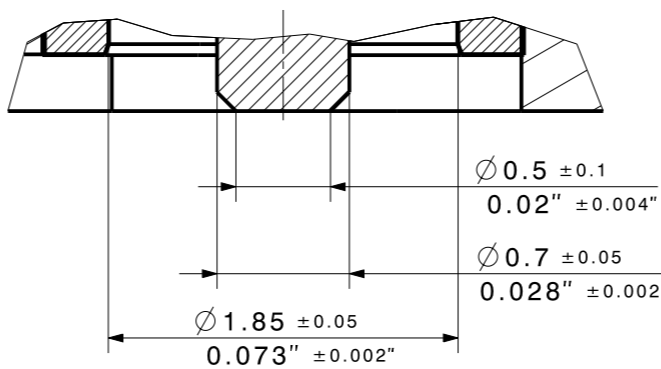


bottom view
View B



Protection cap

Section view C-C



type / Typ: 2x8A_81_MXP-S50-0-3

⊕ dimensions in millimeter [mm]

part no. / Teile Nr.: PRO-00247485 A sheet/Blatt

description / Beschreibung

drawing-no. / Zeichnungsnr.

Release

PCB plug

DOU-00247485

C

alternative ID:

Diese Zeichnung ist unser geistiges Eigentum und darf ohne unsere Einwilligung weder kopiert, vervielfältigt noch Dritten oder Konkurrenzfirmen zugänglich gemacht werden. (Art. 12 B.G.) This drawing is copyright. Information contained therein is supplied in confidence and must not be used for any other purpose than which it was supplied, or be reproduced without written permission of the owners.